



IMPACT

Features and Benefits

- Standard Color – light gray with a high gloss finish
- Best material – bases, opaque covers and clear covers are all made of high-impact, UV resistant polycarbonate
- Easy ordering – One part number equals one completely assembled enclosure
- Super easy use – mounting flanges integral, so no extra hardware needed
- Flexible Interior Mounting – bosses on rear wall and lid of opaque enclosure provide multiple mounting options for din rail, back panels, or other components
- Advanced face plate mounting system – Brand new completely unique and easy
- Secure – Choose your level of protection: pad lockable, tamper screw or tamper tag capable
- Frequency Friendly – Available with absolutely no metals of any kind on the enclosure which is extremely favorable for sending and receiving wireless signals
- UL-50 / c-UL Listed (file # E207562)

Our Impact Line enclosures are the most versatile, feature packed, aesthetically pleasing, Nema UL rated, non-metallic enclosures available. Features like extremely durable, UV resistant, wide temperature range, easy to machine, lighter than other non-metallic or metal materials, the “Made in USA” Impact Line enclosures provide great value to any application.



Flammable / UV Ratings	Test Spec.	Unit	Impact Line
Flame Rating - UL	UL 94	-	5VA
Outdoor UV Exposure	UL	-	f1

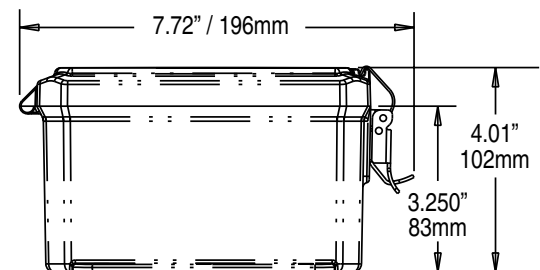
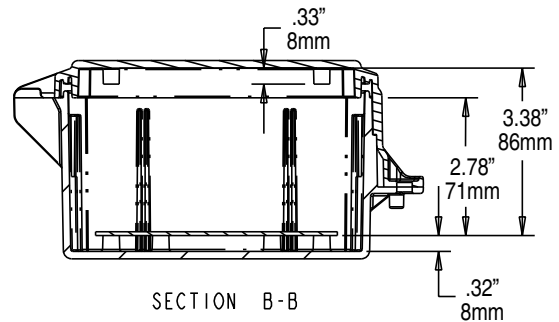
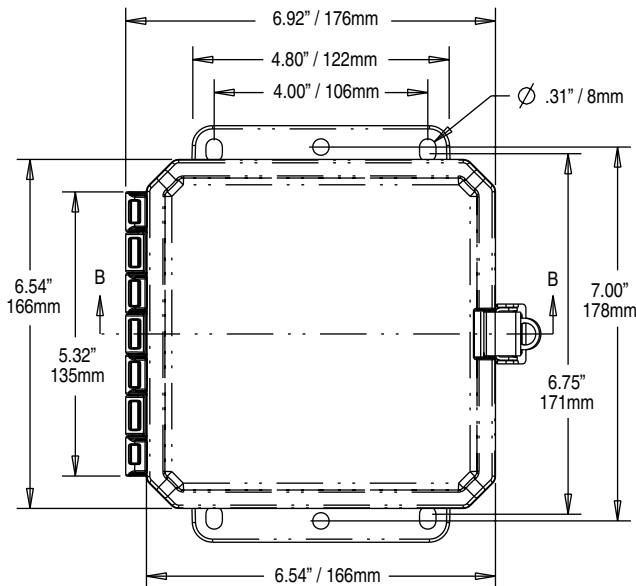
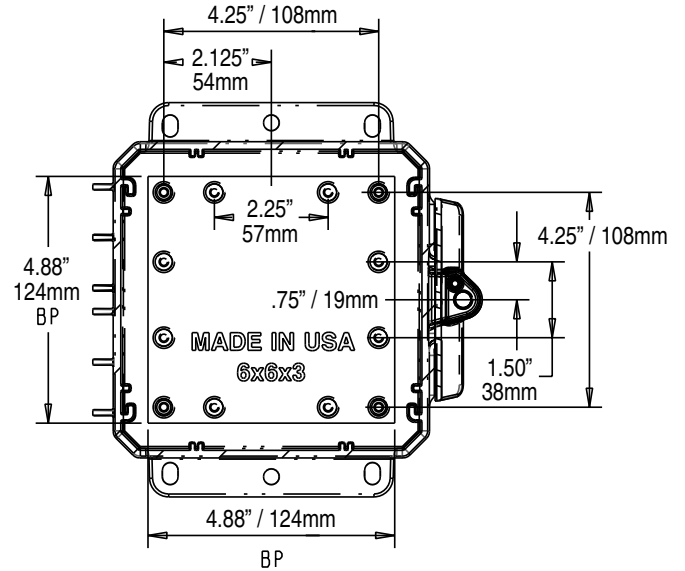
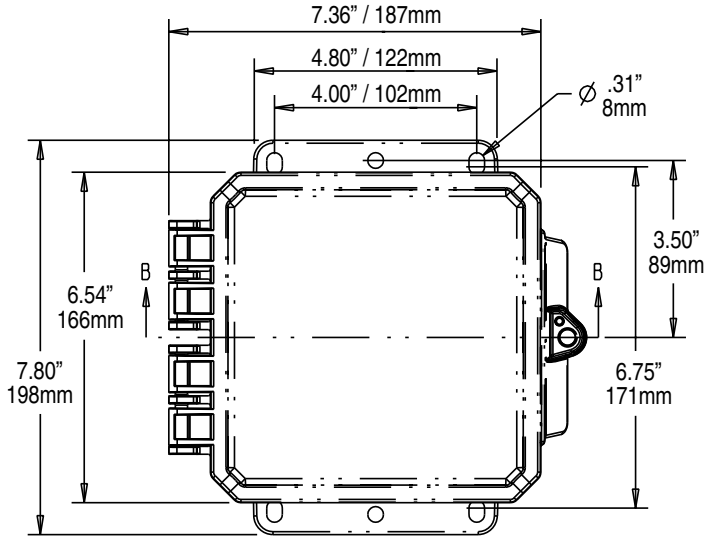
Mechanical and Thermal	Test Spec.	Unit	Impact Line
Instrumented Dart Impact @ 73° F		in/lb.	565
Falling Ball Impact @ 73° F	UL-746	in/lb.	900
Deflection Temperature @ 264 psi	ASTM D648	Deg. F	270
Modulus of Elasticity	ASTM D790	ksi	340
Temperature Range		Deg. F	-40 to 265

P6063	4X		Clear Cover	Opaque Cover	Integrated Mounting Flange	Standard Hinge	Low Profile Hinge	Integrated Locking Latch	Stainless Steel Locking Latch	Non-Metallic Locking Latch	Face Plate Mtg System*
	IP66	IP68									
P6063	✓	✓		✓	✓	✓		✓			✓
P6063C	✓	✓	✓		✓	✓		✓			✓
P6063LL	✓			✓	✓	✓			✓		✓
P6063CLL	✓		✓		✓	✓			✓		✓
P6063LP	✓	✓		✓	✓		✓	✓			✓
P6063LPC	✓	✓	✓		✓		✓	✓			✓
P6063LPLL	✓			✓	✓		✓		✓		✓
P6063LPCLL	✓		✓		✓		✓		✓		✓
P6063NL	✓			✓	✓	✓				✓	✓
P6063CNL	✓		✓		✓	✓				✓	✓
P6063LPNL	✓			✓	✓		✓			✓	✓
P6063LPCNL	✓		✓		✓		✓			✓	✓

* Sold separately

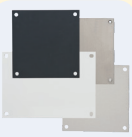


6X6X3 IMPACT LINE



Register online to download this drawing off the Integra website at www.integraenclosures.com | Your company's logo or other information on the lid. Consult factory for details.

Accessories for 6x6x3 Impact (For complete accessories, see page 52-54)



Back Panels

- ABP66-IMP - Aluminum panel
- SBP66-IMP - Steel panel
- PVCBP66-IMP - PVC panel



Aluminum Swing Out System

- ASWP66-IMP Aluminum swing panel and SOPK-IMP mounting kit
- ASWP66-IMP - Aluminum swing panel only
- SOPK66/86-IMP - 2 Ridget brackets, 1 pivot bracket & 8 self-tapping screws



Aluminum Face Plate System

- AFP66-IMP - Aluminum face plate and SOPK-IMP mounting kit
- AFP66-IMP - Aluminum face plate only
- SOPK66/86-IMP - 2 Ridget brackets, 1 pivot bracket & 8 self-tapping screws



Air Vents

- VENT 3 - Aluminum louvered
- VENT 2 - Outdoor labyrinth



Steel Swing Out System

- SSWP66-IMP Steel swing panel and SOPK-IMP mounting kit
- SSWP66-IMP - Steel swing panel only
- SOPK66/86-IMP - 2 Ridget brackets, 1 pivot bracket & 8 self-tapping screws



Steel Face Plate System

- SFP66-IMP - Steel face plate and SOPK-IMP mounting kit
- SFP66-IMP - Steel face plate only
- SOPK66/86-IMP - 2 Ridget brackets, 1 pivot bracket & 8 self-tapping screws



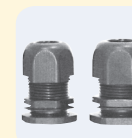
Din Rail

- DIN 6-IMP - 2 rails, 4 screws



Pole Mounting Kit

- PMKG-26-IMP - 2" pole
- PMKG-36-IMP - 3" pole
- PMKG-46-IMP - 4" pole
- PMKG-126-IMP - 12" pole



Cord Grips

- IP68/NEMA 4X/6P rated
- See page 53 for more details.